



Product

Catalog



Prices effective
April 2023
Price Include GST



Greenhouse Offerings

- Make the best of this opportunity to grow your own veggie seeds or seedlings by starting them early in autumn and winter and enjoy delicious vegetables and herbs or stunning flowers throughout spring and summer!
- Take advantage of a unique and aesthetic greenhouse for an exceptional price.
- The greenhouse structure is made from a durable, long lasting aluminium frame that is maintenance free. The greenhouse walls are tough twin-wall polycarbonate panels that slide into the aluminium framing for strong structural support and durability. The technology is unique, designed to achieve elegant beauty to merge with your garden scenery.
- The twin-wall polycarbonate has an air pocket between the layers, acting like double-glazing on your plants. Our twin wall polycarbonate sheets are UV treated making them more durable.



**Greenhouse -
Polycarbonate - 6mm,
193(L) x 193(W) x 230(H)cm**

\$1,495.00

Model: JAJ193193230-6-G
Polycarbonate: 6mm Twin Wall, UV Treated
Sliding Doors: 1
Windows (Adjustable): 2
Down Pipe: 2
Door Lock, Bolts, Nuts & Screws: Stainless Steel
Nut Type: Nyloc
Aluminum Thickness: 1.2-2.5mm
Base: Galvanized Steel
Colour: Green Powder Coated
Overall Size: 1926(L) x 1930(W) (Single Door) x 2300(H)mm,
6mm, 3.72m² (6'3" x 6'3"), 3 Sections Long
Side Wall Height: 172(H)cm
Packaging Size (2 Boxes): 181(L) x 64(W) x 12(H)cm,
203(L) x 22(W) x 18(H)cm
Weight GW: 57kg

**Greenhouse -
Polycarbonate - 6mm,
254(L) x 193(W) x 230(H)cm**

\$1,795.00

Model: JAJ254193230-6-G
Polycarbonate: 6mm Twin Wall, UV Treated
Sliding Doors: 1
Windows (Adjustable): 2
Down Pipe: 2
Door Lock, Bolts, Nuts & Screws: Stainless Steel
Nut Type: Nyloc
Aluminum Thickness: 1.2-2.5mm
Base: Galvanized Steel
Colour: Green Powder Coated
Size: 2542(L) x 1930(W) (Single Door) x 2300(H)cm,
6mm, 4.91m² (8'3" x 6'3"), 4 Sections Long
Side Wall Height: 172(H)cm
Packaging Size (2 Boxes): 181(L) x 64(W) x 15(H)cm,
265(L) x 22(W) x 17(H)cm
Weight GW: 67kg



**Greenhouse -
Polycarbonate - 6mm,
316(L) x 193(W) x 230(H)cm**

\$2,169.00

Model: JAJ316193230-6-G

Polycarbonate: 6mm Twin Wall, UV Treated

Sliding Doors: 1

Windows (Adjustable): 4

Down Pipe: 2

Door Lock, Bolts, Nuts & Screws: Stainless Steel

Nut Type: Nyloc

Aluminum Thickness: 1.2-2.5mm

Base: Galvanized Steel

Colour: Green Powder Coated

*Size: 3159(L) x 1930(W) (Single Door) x 2300(H)mm, 6mm,
6.10m² (10'4" x 6'3"), 5 Sections Long*

Side Wall Height: 172(H)cm

Packaging Size (2 Boxes): 181(L) x 64(W) x 16(H)cm,

325(L) x 22(W) x 16(H)cm

Weight GW: 76kg



**Greenhouse -
Polycarbonate - 6mm,
507(L) x 193(W) x 230(H)cm**

\$2,950.00

Model: JAJ193193230-6-G + JAJ316193230-6-G-EXT

Polycarbonate: 6mm Twin Wall, UV Treated

Sliding Doors: 1

Windows (Adjustable): 6

Down Pipe: 2

Door Lock, Bolts, Nuts & Screws: Stainless Steel

Nut Type: Nyloc

Aluminum Thickness: 1.2-2.5mm

Base: Galvanized Steel

Colour: Green Powder Coated

*Size: 5065(L) x 1930(W) (Single Door) x 2300(H)mm, 6mm,
9.77m² (16'6" x 6'3"), 8 Sections Long*

Side Wall Height: 172(H)cm

Packaging Size (4 Boxes): 181(L) x 64(W) x 12(H)cm,

*203(L) x 22(W) x 18(H)cm, 176(L) x 64(W) x 14(H)cm, 316
(L) x 195(W) x 135(H)cm*

Weight GW: 117kg

*Greenhouse made up of JAJ193193230-6-G plus extension
JAJ316193230-6-G-EXT*



**Greenhouse -
Polycarbonate - 6mm,
568(L) x 193(W) x 230(H)cm**

\$3,225.00

Model: JAJ254193230-6-G + JAJ316193230-6-G-EXT

Polycarbonate: 6mm Twin Wall, UV Treated

Sliding Doors: 1

Windows (Adjustable): 6

Down Pipe: 2

Door Lock, Bolts, Nuts & Screws: Stainless Steel

Nut Type: Nyloc

Aluminum Thickness: 1.2-2.5mm

Base: Galvanized Steel

Colour: Green Powder Coated

*Size: 5681(L) x 1930(W) (Single Door) x 2300(H)mm, 6mm,
10.96m² (18'6" x 6'3"), 9 Sections Long*

Side Wall Height: 172(H)cm

*Packaging Size (4 Boxes): 181(L) x 64(W) x 15(H)cm,
265(L) x 22(W) x 17(H)cm, 176(L) x 64(W) x 14(H)cm, 316(L)
x 195(W) x 135(H)cm*

Weight GW: 127kg

*Greenhouse made up of JAJ254193230-6-G plus extension
JAJ316193230-6-G-EXT*



**Greenhouse -
Polycarbonate - 6mm,
623(L) x 193(W) x 230(H)cm**

\$3,525.00

Model: JAJ316193230-6-G + JAJ316193230-6-G-EXT

Polycarbonate: 6mm Twin Wall, UV Treated

Sliding Doors: 1

Windows (Adjustable): 8

Down Pipe: 2

Door Lock, Bolts, Nuts & Screws: Stainless Steel

Nut Type: Nyloc

Aluminum Thickness: 1.2-2.5mm

Base: Galvanized Steel

Colour: Green Powder Coated

*Size: 6297(L) x 1930(W) (Single Door) x 2300(H)mm, 6mm,
12.15m² (20'65" x 6'3"), 10 Sections Long*

Side Wall Height: 172(H)cm

*Packaging Size (4 Boxes): 181(L) x 64(W) x 16(H)cm,
325(L) x 22(W) x 16(H)cm, 176(L) x 64(W) x 14(H)cm, 316
(L) x 195(W) x 135(H)cm*

Weight GW: 136kg

*Greenhouse made up of JAJ316193230-6-G plus extension
JAJ316193230-6-G-EXT*



**Greenhouse -
Polycarbonate - 6mm,
942(L) x 193(W) x 230(H)cm**

\$4,899.00

Model: JAJ316193230-6-G + JAJ316193230-6-G-EXT X 2

Polycarbonate: 6mm Twin Wall, UV Treated

Sliding Doors: 1

Windows (Adjustable): 12

Down Pipe: 2

Door Lock, Bolts, Nuts & Screws: Stainless Steel

Nut Type: Nyloc

Aluminum Thickness: 1.2-2.5mm

Base: Galvanized Steel

Colour: Green Powder Coated

*Size: 942(L) x 193(W) (Single Door) x 230(H)mm, 6mm,
18.19m² (30'9" x 6'3"), 15 Sections Long*

Side Wall Height: 172(H)cm

*Packaging Size (6 Boxes): 181(L) x 64(W) x 16(H)cm,
325(L) x 22(W) x 16(H)cm, 176(L) x 64(W) x 14(H)cm, 316
(L) x 195(W) x 135(H)cm, 176(L) x 64(W) x 14(H)cm, 316(L)
x 195(W) x 135(H)cm*

Weight GW: 212kg

*Greenhouse made up of JAJ316193230-6-G plus extension
JAJ316193230-6-G-EXT X 2*



**Greenhouse -
Polycarbonate - 6mm,
192(L) x 253(W) x 257(H)cm**

\$1,965.00

Model: JAJ192253257-6-G

Polycarbonate: 6mm Twin Wall, UV Treated

Sliding Doors: 2

Windows (Adjustable): 2

Down Pipe: 2

Door Lock, Bolts, Nuts & Screws: Stainless Steel

Nut Type: Nyloc

Aluminum Thickness: 1.2-2.5mm

Base: Galvanized Steel

Colour: Green Powder Coated

*Size: 192(L) x 253(W) (Double Door) x 257(H)mm, 6mm,
4.85m² (6'3" x 8'3"), 3 Sections Long*

Side Wall Height: 172(H)cm

*Packaging Size (3 Boxes): 176(L) x 64(W) x 16(H)cm,
177(L) x 15(W) x 15(H)cm, 258(L) x 21(W) x 13(H)cm*

Weight GW: 72.5kg



**Greenhouse -
Polycarbonate - 6mm,
314(L) x 253(W) x 257(H)cm**

\$2,569.00

Model: JAJ314253257-6-G
Polycarbonate: 6mm Twin Wall, UV Treated
Sliding Doors: 2
Windows (Adjustable): 4
Down Pipe: 2
Door Lock, Bolts, Nuts & Screws: Stainless Steel
Nut Type: Nyloc
Aluminum Thickness: 1.2-2.5mm
Base: Galvanized Steel
Colour: Green Powder Coated
Size: 3144(L) x 2530(W) (Double Door) x 2570(H)mm, 6mm,
7.95m² (10'3" x 8'3"), 5 Sections Long
Side Wall Height: 172(H)cm
Packaging Size(3 Boxes): 176(L) x 64(W) x 22(H)cm,
176(L) x 18(W) x 17(H)cm, 318(L) x 20(W) x 15(H)cm
Weight GW: 93kg



**Greenhouse -
Polycarbonate - 6mm,
376(L) x 253(W) x 257(H)cm**

\$2,879.00

Model: JAJ376253257-6-G
Polycarbonate: 6mm Twin Wall, UV Treated
Sliding Doors: 2
Windows (Adjustable): 4
Down Pipe: 2
Door Lock, Bolts, Nuts & Screws: Stainless Steel
Nut Type: Nyloc
Aluminum Thickness: 1.2-2.5mm
Base: Galvanized Steel
Colour: Green Powder Coated
Size: 3757(L) x 2530(W) (Double Door) x 2570(H)mm, 6mm,
9.51m² (12'3" x 8'3"), 6 Sections Long
Side Wall Height: 172(H)cm
Packaging Size (3 Boxes): 176(L) x 64(W) x 24(H)cm,
176(L) x 21(W) x 16(H)cm, 381(L) x 20(W) x 14(H)cm
Weight GW: 102kg



**Greenhouse -
Polycarbonate - 6mm,
437(L) x 253(W) x 257(H)cm**

\$3,195.00

*Model: JAJ437253257-6-G
Polycarbonate: 6mm Twin Wall, UV Treated
Sliding Doors: 2
Windows (Adjustable): 4
Down Pipe: 2
Door Lock, Bolts, Nuts & Screws: Stainless Steel
Nut Type: Nyloc
Aluminum Thickness: 1.2-2.5mm
Base: Galvanized Steel
Colour: Green Powder Coated
Size: 4371(L) x 2530(W) (Double Door) x 2570(H)mm, 6mm,
11.06m² (14'3" x 8'3"), 7 Sections Long
Side Wall Height: 172(H)cm
Packaging Size (3 Boxes): 176(L) x 64(W) x 26(H)cm,
178(L) x 22(W) x 16(H)cm, 442(L) x 18(W) x 13(H)cm
Weight GW: 111kg*



**Greenhouse -
Polycarbonate - 6mm,
505(L) x 253(W) x 257(H)cm**

\$3,579.00

*Model: JAJ192253257-6-G + JAJ313253257-6-G-EXT
Polycarbonate: 6mm Twin Wall, UV Treated
Sliding Doors: 2
Windows (Adjustable): 6
Down Pipe: 2
Door Lock, Bolts, Nuts & Screws: Stainless Steel
Nut Type: Nyloc
Aluminum Thickness: 1.2-2.5mm
Base: Galvanized Steel
Colour: Green Powder Coated
Size: 5042(L) x 2530(W) (Double Door) x 2570(H)mm, 6mm,
12.8m² (16'5" x 8'3"), 8 Sections Long
Side Wall Height: 172(H)cm
Packaging Size (5 Box): 176 x 64 x 16cm, 177 x 15 x 15cm,
258 x 21 x 13, 176 x 64 x 14, 360 x 20 x 14cm
Weight GW: 130.5kg*

*Greenhouse made up of JAJ192253257-6-G plus extension
JAJ313253257-6-G-EXT*



**Greenhouse -
Polycarbonate - 6mm,
627(L) x 253(W) x 257(H)cm**

\$4,335.00

Model: JAJ314253257-6-G + JAJ313253257-6-G-EXT

Polycarbonate: 6mm Twin Wall, UV Treated

Sliding Doors: 2

Windows (Adjustable): 8

Down Pipe: 2

Door Lock, Bolts, Nuts & Screws: Stainless Steel

Nut Type: Nyloc

Aluminum Thickness: 1.2-2.5mm

Base: Galvanized Steel

Colour: Green Powder Coated

Size: 6269(L) x 2530(W) (Double Door) x 2570(H)mm, 6mm,
15.9m² (20'6" x 8'3"), 10 Sections Long

Side Wall Height: 172(H)cm

Packaging Size(5 Box): 176 x 64 x 22cm, 176 x 18 x 17cm,
318 x 20 x 15, 36 x 20 x 14, 18 x 64 x 14cm

Weight GW: 151kg

Greenhouse made up of JAJ314253257-6-G plus extension
JAJ313253257-6-G-EXT

**Greenhouse -
Polycarbonate - 6mm,
689(L) x 253(W) x 257(H)cm**

\$4,699.00

Model: JAJ376253257-6-G + JAJ313253257-6-G-EXT

Polycarbonate: 6mm Twin Wall, UV Treated

Sliding Doors: 2

Windows (Adjustable): 8

Down Pipe: 2

Door Lock, Bolts, Nuts & Screws: Stainless Steel

Nut Type: Nyloc

Aluminum Thickness: 1.2-2.5mm

Base: Galvanized Steel

Colour: Green Powder Coated

Size: 6882(L) x 2530(W) (Double Door) x 2570(H)mm, 6mm,
17.4m² (22'6" x 8'3"), 11 Sections Long

Side Wall Height: 172(H)cm

Packaging Size (5 Box): 176 x 64 x 24cm, 176 x 21 x 16cm,
381 x 20 x 14, 36 x 20 x 14, 18 x 64 x 14cm

Weight GW: 160kg

Greenhouse made up of JAJ376253257-6-G plus extension
JAJ313253257-6-G-EXT



**Greenhouse -
Polycarbonate - 6mm,
750(L) x 253(W) x 257(H)cm**

\$5,095.00

Model: JAJ437253257-6-G + JAJ313253257-6-G-EXT

Polycarbonate: 6mm Twin Wall, UV Treated

Sliding Doors: 2

Windows (Adjustable): 8

Down Pipe: 2

Door Lock, Bolts, Nuts & Screws: Stainless Steel

Nut Type: Nyloc

Aluminum Thickness: 1.2-2.5mm

Base: Galvanized Steel

Colour: Green Powder Coated

*Size: 7496(L) x 2530(W) (Double Door) x 2570(H)mm, 6mm,
19.0m² (24'6" x 8'3"), 12 Sections Long*

Side Wall Height: 172(H)cm

*Packaging Size (5 Box): 176 x 64 x 26cm, 178 x 22 x 16cm,
442 x 18 x 13, 36 x 20 x 14, 18 x 64 x 14cm*

Weight GW: 169kg

*Greenhouse made up of JAJ437253257-6-G plus extension
JAJ313253257-6-G-EXT*



**Greenhouse -
Polycarbonate - 6mm,
1062(L) x 253(W) x 257(H)cm**

\$6,989.00

Model: JAJ437253257-6-G + JAJ313253257-6-G-EXT X 2

Polycarbonate: 6mm Twin Wall, UV Treated

Sliding Doors: 2

Windows (Adjustable): 12

Down Pipe: 2

Door Lock, Bolts, Nuts & Screws: Stainless Steel

Nut Type: Nyloc

Aluminum Thickness: 1.2-2.5mm

Base: Galvanized Steel

Colour: Green Powder Coated

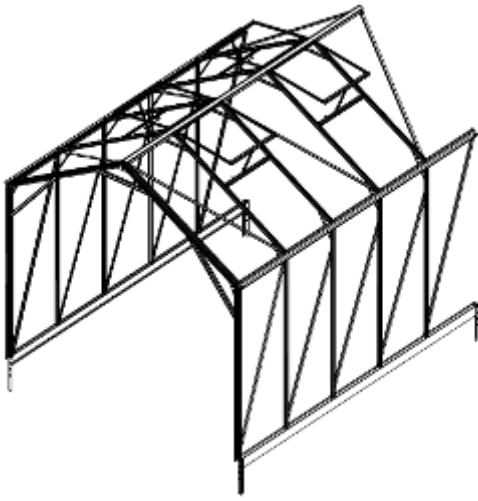
*Size: 10621(L) x 2530(W) (Double Door) x 2570(H)mm,
6mm, 26.9m² (34'8" x 8'3"), 17 Sections Long*

Side Wall Height: 172(H)cm

*Packaging Size (7 Box): 176 x 64 x 26cm, 178 x 22 x 16cm,
442 x 18 x 13, 36 x 20 x 14, 18 x 64 x 14, 36 x 20 x 14, 18 x
64 x 14cm*

Weight GW: 227kg

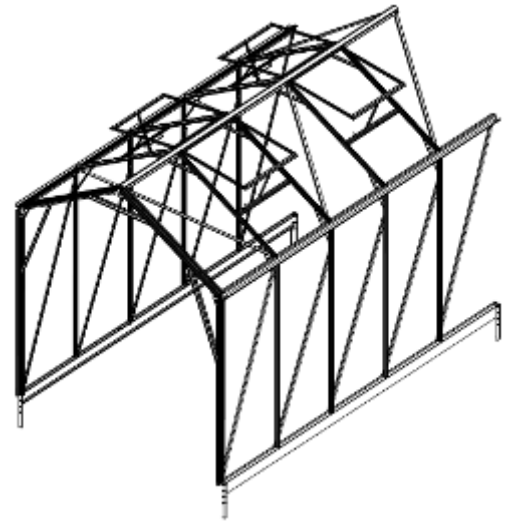
*Greenhouse made up of JAJ437253257-6-G plus extension
JAJ313253257-6-G-EXT X 2*



**Greenhouse - Extension -
Polycarbonate - 6mm,
312(L) x 250(W) x 257(H)cm**

\$1,899.00

Model: JAJ313253257-6-G-EXT
Polycarbonate: 6mm Twin Wall, UV Treated
Sliding Doors: N/A
Windows (Adjustable): 4
Bolts, Nuts & Screws: Stainless Steel
Nut Type: Nyloc
Aluminum Thickness: 1.2-2.5mm
Base: Galvanized Steel
Colour: Green Powder Coated
Overall Size: 3125(L) x 2530(W) (Double Door) x 2570(H)
mm, 6mm, 7.9m² (10'3" x 8'3"), 5 Sections Long
Side Wall Height: 172(H)cm
Packaging Size (2 Box): 18 x 64 x 14cm, 36 x 20 x 14cm
Weight GW: 58kg



**Greenhouse - Extension -
Polycarbonate - 6mm,
317(L) x 193(W) x 230(H)cm**

\$1,455.00

Model: JAJ316193230-6-G-EXT
Polycarbonate: 6mm Twin Wall, UV Treated
Sliding Doors: 1
Windows (Adjustable): 4
Down Pipe: 2
Door Lock, Bolts, Nuts & Screws: Stainless Steel
Nut Type: Nyloc
Aluminum Thickness: 1.2-2.5mm
Base: Galvanized Steel
Colour: Green Powder Coated
Size: 3170(L) x 1930(W) (Single Door) x 2300(H)mm, 6mm,
6.02m² (10'4" x 6'3"), 5 Sections Long
Side Wall Height: 172(H)cm
Packaging Size (2 Box): 176 x 64 x 14cm, 316 x 195 x 135cm
Weight GW: 60kg



**Greenhouse -
Polycarbonate - 10mm,
300(L) x 300(W) x 261(H)cm**

\$3,625.00

Model: JAJ300300261-10-B

Polycarbonate: 10mm Twin Wall, UV Treated

Sliding Doors: 2

Windows (Adjustable): 2

Down Pipe: 2

Door Lock, Bolts, Nuts & Screws: Stainless Steel

Nut Type: Nyloc

Aluminium Thickness: 1.2-2.5mm

Base: Galvanized Steel

Colour: Black Powder Coated

Overall Size: 2997(L) x 2997(W) (Double Door) x 2610(H)

mm, 10mm, 8.91m² (9'7" x 9'8"), 4 Sections Long

Side Wall Height: 170(H)cm

Packaging Size (4 Boxes): 173(L) x 75(W) x 16(H)cm, 176(L) x 75(W) x 16(H)cm, 174(L) x 20(W) x 20(H)cm, 370(L) x 25(W) x 15(H)cm

Weight GW: 120kg



**Greenhouse -
Polycarbonate - 10mm,
446(L) x 300(W) x 261(H)cm**

\$4,659.00

Model: JAJ446300261-10-B

Polycarbonate: 10mm Twin Wall, UV Treated

Sliding Doors: 2

Windows (Adjustable): 4

Down Pipe: 2

Door Lock, Bolts, Nuts & Screws: Stainless Steel

Nut Type: Nyloc

Aluminium Thickness: 1.2-2.5mm

Base: Galvanized Steel

Colour: Black Powder Coated

Overall Size: 4456(L) x 2997(W) (Double Door) x 2610(H)

mm, 10mm, 13.34m² (14'6" x 9'8"), 6 Sections Long

Side Wall Height: 170(H)cm

Packaging Size (4 Boxes): 173(L) x 76(W) x 20(H), 164 (L) x 75(W) x 23(H), 175(L) x 24(W) x 21(H), 451(L) x 25(W) x 16 (H)cm

Weight GW: 150kg



**Greenhouse -
Polycarbonate - 10mm,
519(L) x 300(W) x 261(H)cm**

\$5,145.00

*Model: JAJ519300261-10-B
Polycarbonate: 10mm Twin Wall, UV Treated
Sliding Doors: 2
Windows (Adjustable): 4
Down Pipe: 2
Door Lock, Bolts, Nuts & Screws: Stainless Steel
Nut Type: Nyloc
Aluminium Thickness: 1.2-2.5mm
Base: Galvanized Steel
Colour: Black Powder Coated
Overall Size: 5185(L) x 2997(W) (Double Door) x 2610(H)
mm, 10mm, 15.48m² (16'9" x 9'8"), 7 Sections Long
Side Wall Height: 170(H)cm
Packaging Size (4 Boxes): 173(L) x 75(W) x 22(H)cm, 173(L)
x 75(W) x 22(H)cm, 173(L) x 23(W) x 20(H)cm, 526(L) x 25
(W) x 15(H)cm
Weight GW: 162kg*



**Greenhouse -
Polycarbonate - 10mm,
525(L) x 300(W) x 261(H)cm**

\$5,195.00

*Model: JAJ300300261-10-B + JAJ225300261-10-B-EXT
Polycarbonate: 10mm Twin Wall, UV Treated
Sliding Doors: 2
Windows (Adjustable): 4
Down Pipe: 2
Door Lock, Bolts, Nuts & Screws: Stainless Steel
Nut Type: Nyloc
Aluminium Thickness: 1.2-2.5mm
Base: Galvanized Steel
Colour: Black Powder Coated
Overall Size: 5251(L) x 2997(W) (Double Door) x 2610(H)
mm, 10mm, 15.8m² (17'3" x 9'8"), 7 Sections Long
Side Wall Height: 170(H)cm
Packaging Size (6 Boxes): 173 x 75 x 16, 176 x 75 x 16, 174 x
20 x 20, 370 x 25 x 15, 173 x 75 x 16, 233 x 24 x 16cm
Weight GW: 173kg
Greenhouse made up of JAJ300300261-10-B plus extension
JAJ225300261-10-B-EXT*



**Greenhouse -
Polycarbonate - 10mm,
671(L) x 300(W) x 261(H)cm**

\$6,189.00

Model: JAJ446300261-10-B + JAJ225300261-10-B-EXT

Polycarbonate: 10mm Twin Wall, UV Treated

Sliding Doors: 2

Windows (Adjustable): 6

Down Pipe: 2

Door Lock, Bolts, Nuts & Screws: Stainless Steel

Nut Type: Nyloc

Aluminium Thickness: 1.2-2.5mm

Base: Galvanized Steel

Colour: Black Powder Coated

Overall Size: 6710(L) x 2997(W) (Double Door) x 2610(H) mm, 10mm, 20.1m² (22' x 9'8"), 9 Sections Long

Side Wall Height: 170(H)cm

Weight GW: 202kg

Greenhouse made up of JAJ446300261-10-B plus extension JAJ225300261-10-B-EXT



**Greenhouse -
Polycarbonate - 10mm,
744(L) x 300(W) x 261(H)cm**

\$6,635.00

Model: JAJ519300261-10-B + JAJ225300261-10-B-EXT

Polycarbonate: 10mm Twin Wall, UV Treated

Sliding Doors: 2

Windows (Adjustable): 6

Down Pipe: 2

Door Lock, Bolts, Nuts & Screws: Stainless Steel

Nut Type: Nyloc

Aluminium Thickness: 1.2-2.5mm

Base: Galvanized Steel

Colour: Black Powder Coated

Overall Size: 7439(L) x 2997(W) (Double Door) x 2610(H) mm, 10mm, 22.4m² (24'5" x 9'8"), 10 Sections Long

Side Wall Height: 170(H)cm

Packaging Size (6 Boxes): 173 x 75 x 22, 173 x 75 x 22, 173 x 23 x 20, 526 x 25 x 15cm, 173 x 75 x 16, 233 x 24 x 16cm

Weight GW: 215kg

Greenhouse made up of JAJ519300261-10-B plus extension JAJ225300261-10-B-EXT



**Greenhouse -
Polycarbonate - 10mm,
970(L) x 300(W) x 261(H)cm**

\$8,179.00

Model: JAJ519300261-10-B + JAJ225300261-10-B-EXT x 2

Polycarbonate: 10mm Twin Wall, UV Treated

Sliding Doors: 2

Windows (Adjustable): 8

Down Pipe: 2

Door Lock, Bolts, Nuts & Screws: Stainless Steel

Nut Type: Nyloc

Aluminium Thickness: 1.2-2.5mm

Base: Galvanized Steel

Colour: Black Powder Coated

*Overall Size: 9693(L) x 2997(W) (Double Door) x 2610(H)mm,
10mm, 29.1m² (31'8" x 9'8"), 13 Sections Long*

Side Wall Height: 170(H)cm

*Packaging Size (8 Boxes): 173 x 75 x 22, 173 x 75 x 22, 173 x
23 x 20, 526 x 25 x 15, 173 x 75 x 16, 233 x 24 x 16, 173 x
75 x 16, 233 x 24 x 16cm*

Weight GW: 268kg

*Greenhouse made up of JAJ519300261-10-B plus extension
JAJ225300261-10-B-EXT x2*



**Greenhouse - Extension -
Polycarbonate - 10mm,
225(L) x 300(W) x 261(H)cm**

\$1,970.00

Model: JAJ225300261-10-B-EXT

Polycarbonate: 10mm Twin Wall, UV Treated

Sliding Doors: N/A

Windows (Adjustable): 2

Bolts, Nuts & Screws: Stainless Steel

Nut Type: Nyloc

Aluminium Thickness: 1.2-2.5mm

Base: Galvanized Steel

Colour: Black Powder Coated

Overall Size: 2254(L) x 2997(W) x 2610(H)mm, 10mm,

6.6m² (7'2" x 9'8"), 3 Sections Long

Side Wall Height: 170(H)cm

Packaging Size (2 Boxes): 173(L) x 75(W) x 16(H)cm, 233(L)

x 24(W) x 17(H)cm

Weight GW: 53.2kg



**Greenhouse -
Connection Kit - 10mm,
300(W) x 261(H)cm**

\$395.00

Model: JAJ300261-CONNECTIONKIT

Polycarbonate: 10mm Twin Wall, UV Treated

Colour: Black Powder Coated

Overall Size: 3000(W) x 2610(H)

*Weight GW: *kg*



**Greenhouse - Staging -
2 Tier -
117(L) x 50(W) x 97.5(H)cm**

\$175.00

Specifications:

Model: JAJ1175098-S-G

Tiers: 2

Colour: Green Powder Coated

Size: 117(L) x 50(W) x 97.5(H)cm

(Bottom shelf height adjustable)

Assembly Required



**Greenhouse - Staging -
2 Tier, Stepped -
120(L) x 68.5(W) x 97.5(H)
cm**

\$225.00

Specifications:

Model: JAJ1206998-S-G

Tiers: 2

Colour: Green Powder Coated

Size: 120(L) x 68.5(W) x 97.5(H)cm

Assembly Required



**Greenhouse - Staging -
2 Tier, Stepped -
145(L) x 68.5(W) x 97.5(H)
cm**

\$250.00

Specifications:

Model: JAJ1456998-S-G

Tiers: 2

Colour: Green Powder Coated

Size: 145(L) x 68.5(W) x 97.5(H)cm

Assembly Required



**Greenhouse - Seed Tray
Stand - 3 Tier -
100(L) x 39(W) x 98.5(H)cm**

\$195.00

Specifications:

Model: JAJ1003999-S-G

Tiers: 3

Seed Trays: 12

Colour: Green Powder Coated

Size: 100(L) x 39(W) x 98.5(H)cm

Assembly Required



**Greenhouse - Cold Frame -
Polycarbonate - 4mm,
100(L) x 56(W) x 41(H)cm**

\$169.00

Specifications:

Model: JAJ1006040-4-G

Polycarbonate: 4mm Twin Wall, UV Treated

Hinged Doors: 1

Bolts, Nuts & Screws: Stainless Steel

Colour: Green Powder Coated

Overall Size: 1000(L) x 560(W) x 300/410(H)mm

Assembly Required



Greenhouse - Solar Fan

\$265.00

Features:

Solar roof fan removes hot air from your greenhouse enabling you go away and not worry about the temperature of your greenhouse.

Adjustable start temperature: 0-50 degrees Celsius.

Highest capacity fan on the market.

Maxiumise space in your greenhouse by using multi layered staging units.

No cords or cables, fan is charged by solar panel (included) to operate.

Note: Will service approx. 10sqm of air space (3.7 x 2.5M), for bigger greenhouses you can purchase additional units.

Specifications:

Model:SF15

Power: 15W (Solar)

Voltage: 6-13.8V(DC)

Material: Aluminum Alloy

Air Flow (Max): 154 CFM

Flow Direction (single): Inside to Outside

Noise: 50dB(A)

Fan Size: 120(L) x 120(W) x 38(H)mm

Overall Size: 366(L) x 366(W) x 63(H)mm

Weight: 4kg

Suitable for JAJ™ Greenhouses, DIY installation assembly.



Greenhouse - Automatic Vent Opener

\$58.50

Features:

Works from automatically from Wax, when it heats up it expands pushing out the piston, when it cools down it contracts and the springs pull the window shut tight.

Start to open at 18C to 20C

Fully open temperature 26C or above

Rotate the cylinder clockwise to lower the open temperature.

Ventilation in your greenhouse will enable growth and healthy disease free plants

No battery or electricity required.

Highly recommend to automate vents down at least one side of greenhouse to promote air flow within the greenhouse.

Allows you to not worry about having to open and shut your vents.

Universal fits most branded greenhouses.

Specifications:

Model: AVO312-1

Springs: 2

Max Lift Weight: 7kg

Max Opening Distance: 45cm

Piston Material: Stainless Steel

Overall Size: 375(L) x 100(W) x 45(H)mm

DIY installation assembly



Greenhouse - Automatic Louver Opener

\$49.95

Features:

Works automatically from wax, when it heats up it expands pushing out the piston, and when it cools down it contracts and the springs pull the window shut tight.
Start to open at 18C to 20C
Fully open temperature 26C or above
Rotate the cylinder clockwise to lower the open temperature.
Ventilation in your greenhouse will enable growth and healthy disease free plants
No battery or electricity required.
Highly recommend to automate louvers to promote air flow within the greenhouse.
Allows you to not worry about having to open and shut your louvers.
Genuine JAJ™ Greenhouse Product.
Professional customer support & after sales service.
Must have for any JAJ™ greenhouse!

Specifications:

Model: AVOL700-1
Springs: 2
Piston Material: Stainless Steel
Overall Size: 375(L) x 100(W) x 45(H)mm

DIY installation assembly



Greenhouse - Louver, 7 Blade, Green - 63(W) x 65(H)cm (Suitable for 6mm)

\$159.00

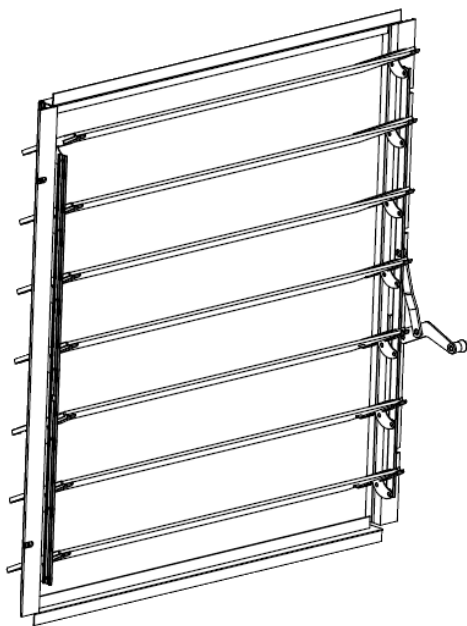
Features:

Increased airflow around your plants will help keep humidity levels lower and avoid certain fungal diseases.
Made from high grade aluminum our Louver units are rust & corrosion free and long lasting!
Powder coated green.
DIY assembly.
Paired with an optional automatic louver opener, this will open and shut the louvers automatically as the temperature changes.
Genuine JAJ™ Greenhouse Product.

Specifications:

Model: JAJ6365-6-G-L7
Polycarbonate: 6mm Twin Wall, UV Treated
Blades: 7
Colour: Green Powder Coated
Size: 63(W) x 65(H)cm

DIY installation assembly



**Greenhouse - Louver, 7
Blade, Black - 74(W) x
65(H)cm (Suitable for 10mm)**

\$195.00

Features:

Increased airflow around your plants will help keep humidity levels lower and avoid certain fungal diseases.

Made from high grade aluminium our Louver units are rust & corrosion free and long lasting!

Powder coated black.

DIY assembly.

Paired with an optional automatic louver opener, this will open and shut the louvers automatically as the temperature changes.

Genuine JAJ™ Greenhouse Product.

Specifications:

Model: JAJ7465-10-B-L7

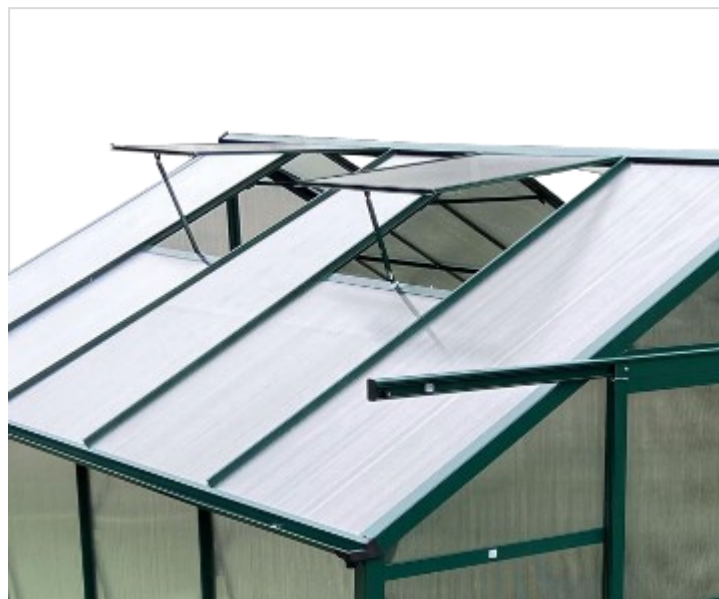
Polycarbonate: 10mm Twin Wall, UV Treated

Blades: 7

Colour: Black Powder Coated

Size: 74(W) x 65(H)cm

DIY installation assembly



**Greenhouse - Window Kit -
Fits 6mm - 193(W)cm**

\$69.95

Features:

Add an additional roof window into your JAJ™ 193(W)cm greenhouse!

Increased airflow around your plants will help keep humidity levels lower and avoid certain fungal diseases.

Powder coated green.

DIY assembly.

Paired with an optional automatic vent opener, this will open and shut the louvers automatically as the temperature changes.

Genuine JAJ™ Greenhouse Product.

Professional customer support & after sales service.

Must have for any JAJ™ greenhouse!

Specifications:

Model: JAJ193-6-G-W

Polycarbonate: 6mm Twin Wall, UV Treated

Colour: Green Powder Coated

Fits: JAJ™ 193(W)cm, 6mm Models



**Greenhouse - Window Kit -
Fits 6mm - 253(W)cm**

\$69.95

Features:

Add an additional roof window into your JAJ™ 253(W)cm greenhouse!

Increased airflow around your plants will help keep humidity levels lower and avoid certain fungal diseases.

Powder coated green.

DIY assembly.

Paired with an optional automatic vent opener, this will open and shut the louvers automatically as the temperature changes.

Genuine JAJ™ Greenhouse Product.

Professional customer support & after sales service.

Must have for any JAJ™ greenhouse!

Specifications:

Model: JAJ253-6-G-W

Polycarbonate: 6mm Twin Wall, UV Treated

Colour: Green Powder Coated

Fits: JAJ™ 253(W)cm, 6mm Models



**Greenhouse - Window Kit -
Fits 10mm - 300(W)cm**

\$89.95

Features:

Add an additional roof window into your JAJ™ 300(W)cm greenhouse!

Increased airflow around your plants will help keep humidity levels lower and avoid certain fungal diseases.

Powder coated black.

DIY assembly.

Paired with an optional automatic vent opener, this will open and shut the louvers automatically as the temperature changes.

Genuine JAJ™ Greenhouse Product.

Professional customer support & after sales service.

Must have for any JAJ™ greenhouse!

Specifications:

Model: JAJ300-10-B-W

Polycarbonate: 10mm Twin Wall, UV Treated

Colour: Black Powder Coated

Fits: JAJ™ 300(W)cm, 10mm Models



**Polycarbonate Sheet -
1725(L) x 602(W) x 6(H)m
x 5 Pack**

\$240.00

Specifications:

Model: PS-6-17256026 X 5PK

Features:

Impact Resistance: Polycarbonate is 200 times stronger than glass

UV Treated

Twin Wall

Replacement 6mm Polycarbonate

Quantity: 5



**Polycarbonate sheet -
1616(L) x 592(W) x 6(H)mm
x 5 Pack**

\$222.50

Specifications:

Model: PS-6-16165926

Features:

Impact Resistance: Polycarbonate is 200 times stronger than glass

UV Treated

Twin Wall

Replacement 6mm Polycarbonate

Quantity: 5



**Polycarbonate Sheet -
1616(L) x 599(W) x 6(H)mm
x 5 Pack**

\$225.00

Specifications:

Model: PS-6-16165996 X 5PK

Features:

Impact Resistance: Polycarbonate is 200 times stronger than glass

UV Treated

Twin Wall

Replacement 6mm Polycarbonate

Quantity: 5



**Polycarbonate sheet -
1616(L) x 670(W) x 6(H)mm
x 5 Pack**

\$240.00

Specifications:

Model: PS-6-16166706 X 5PK

Features:

Impact Resistance: Polycarbonate is 200 times stronger than glass

UV Treated

Twin Wall

Replacement 6mm Polycarbonate

Quantity: 5



**Polycarbonate sheet -
1616(L) x 700(W) x 6(H)mm
x5 Pack**

\$260.00

Specifications:

Model: PS-6-16167006 X 5PK

Features:

Impact Resistance: Polycarbonate is 200 times stronger than glass

UV Treated

Twin Wall

Replacement 6mm Polycarbonate

Quantity: 5



**Polycarbonate sheet -
1690(L) x 713(W) x 10(H)mm
x 5 Pack**

\$325.00

Specifications:

Model: PS-10-169071310 X 5PK

Features:

Impact Resistance: Polycarbonate is 200 times stronger than glass

UV Treated

Twin Wall

Replacement 10mm Polycarbonate

Quantity: 5



**Greenhouse -
Roof Hook
x 10 Pack**

Specifications:
Model: RH105 X 10PK
Fits: JAJ™ Greenhouses
Quantity: 10
Colour: Black

\$19.95



**Greenhouse - Base
Bracket, Concrete - Flat
(Green) x 6 Pack**

Specifications:
Model: BBCF-G X 6PK
Fits: JAJ™ Greenhouses
Colour: Powder Coated Green
Aluminium, Zinc Plated Dynabolt
Length: 60mm
Diameter: 8mm
Quantity: 6

\$15.00



**Greenhouse - Base
Bracket, Concrete - Flat
(Black) x 6 Pack**

Specifications:
Model: BBCF-B X 6PK
Fits: JAJ™ Greenhouses
Colour: Powder Coated Black
Aluminium, Zinc Plated Dynabolt
Length: 60mm
Diameter: 8mm
Quantity: 6

\$15.00



**Greenhouse - Base
Bracket, Wood - Down
(Green) x6 Pack**

Specifications:
Model: BBWD-G X 6PK
Fits: JAJ™ Greenhouses
Colour: Powder Coated Green
Aluminium, Wood Screw
Length: 50mm
Diameter: 4mm
Quantity: 6

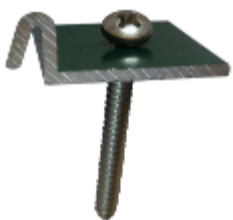
\$12.00



**Greenhouse - Base
Bracket, Wood - Down
(Black) x6 Pack**

Specifications:
Model: BBWD-B X 6PK
Fits: JAJ™ Greenhouses
Colour: Powder Coated Black
Aluminium, Wood Screw
Length: 50mm
Diameter: 4mm
Quantity: 6

\$12.00



**Greenhouse - Base
Bracket, Wood - Flat
(Green) x 6 Pack**

Specifications:
Model: BBWF-G X 6PK
Fits: JAJ™ Greenhouses
Colour: Powder Coated Green
Aluminium, Wood Screw
Length: 50mm
Diameter: 4mm
Quantity: 6

\$12.00



**Greenhouse - Base
Bracket, Wood - Flat
(Black) x6 Pack**

Specifications:
Model: BBWF-B X 6PK
Fits: JAJ™ Greenhouses
Colour: Powder Coated Black
Aluminium, Wood Screw
Length: 50mm
Diameter: 4mm
Quantity: 6

\$12.00

Greenhouse Ideas







CONTACT US

Phone: 03 313 1415

Fax: 03 313 1495

Email: sales@GoodsDirect2U.co.nz

Web: www.GoodsDirect2U.co.nz

Address: 589 Mount Thomas Road,
RD1,
Fernside
New Zealand

Opening Hours: 9am - 5:00pm Mon-Fri
10am - 12am Sat.
